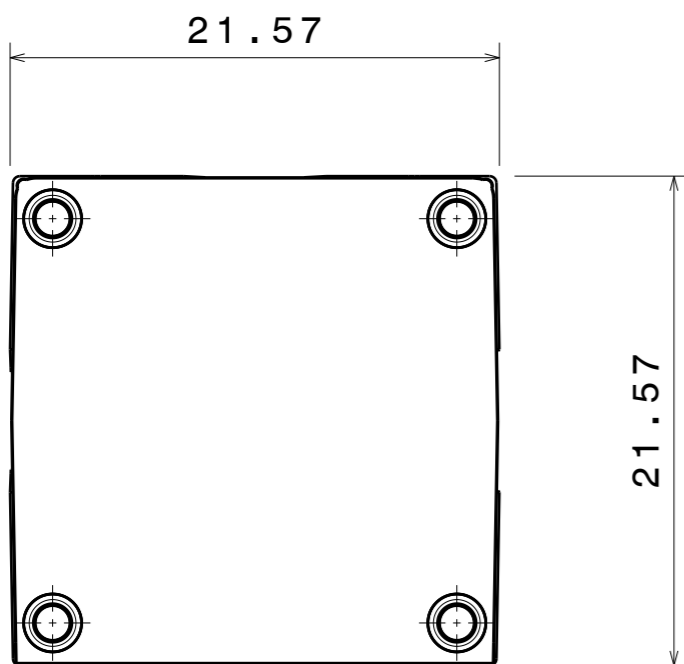


Isometric view



Direction A

INDEX	PART NO	DESCRIPTION	MATERIAL	COLOUR
1	C15050	ROSE-TAPE	Acrylic foam	adhesive
2	C14688	G2-ROSE-LT-HLD	Pc	black
3	F14683	G2-ROSE-UV-S	LSR silicone	clear

Tolerances if not otherwise shown  
According to DIN ISO 2768-1  
Linear measures:  
up to 30mm class M, otherwise class C  
According to DIN ISO 2768-2  
Form and position: class L

**LEDiL** LediL Oy  
Salorankatu 10  
FIN 24240 SALO  
Finland

THIRD ANGLE PROJECTION:

DRAWING TITLE  
**FCA15007\_G2-ROSE-UV-SS**

This drawing is the property  
of LEDiL Oy. It may not be  
reproduced, copied or  
communicated without a written  
agreement with LEDiL Oy.

SIZE PART NUMBER  
**A3 FCA15007**

SCALE 3:1 WEIGHT 9 g SHEET 1/1